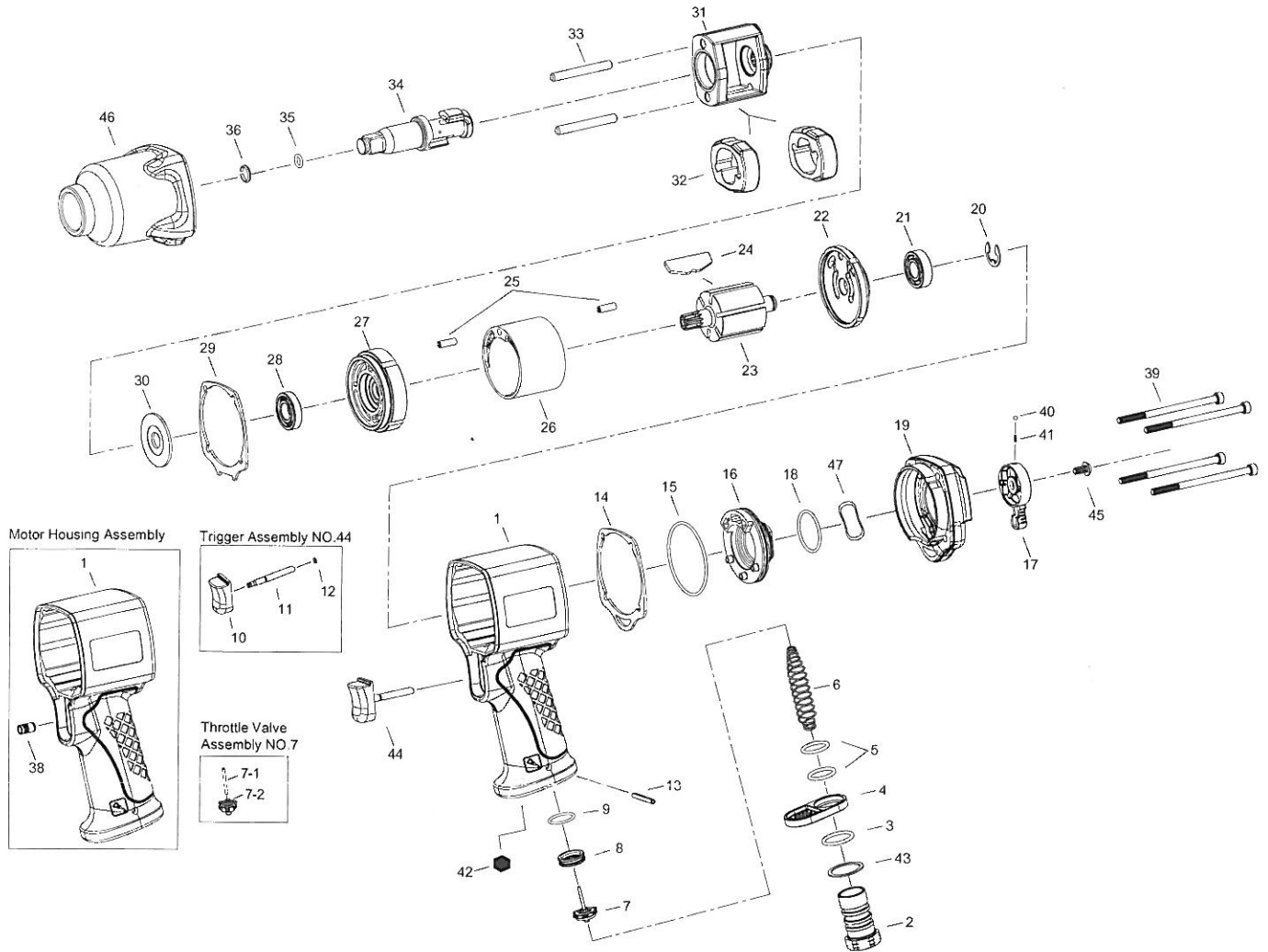


1/2" SQ. DR. SUPER DUTY AIR IMPACT WRENCH



1488

INDEX NO.	DESCRIPTION	REQ'D NO.	INDEX NO.	DESCRIPTION	REQ'D NO.
★ 1	Motor Housing Assembly (incl. 38)	1	24	Rotor Blade	6
2	Air Inlet	1	25	Spring Pin	2
3	O-Ring	1	26	Cylinder	1
4	Exhaust Deflector	1	27	Front End Plate	1
5	O-Ring	2	28	Ball Bearing	1
6	Spring	1	29	Gasket	1
★ 7	Throttle Valve Assembly (incl. 7-1.7-2)	1	30	Washer	1
● 7-1	Throttle Valve Pin	1	31	Hammer Frame	1
● 7-2	Throttle Valve	1	32	Hammer	2
8	Throttle Valve Seat	1	33	Hammer Pin	2
9	O-Ring	1	34	Standard Anvil	1
● 10	Trigger	1	35	O-Ring	1
● 11	Trigger Pin	1	36	Socket Retainer	1
● 12	O-Ring	1	● 38	Bushing	1
13	Spring Pin	1	39	Screw	4
14	Gasket	1	40	Steel Ball	1
15	O-Ring	1	41	Spring	1
16	Reverse Valve	1	42	Muffer Element	1
17	Reverse Knob	1	43	Spacer	1
18	O-Ring	1	★ 44	Trigger Assembly (incl. 10.11.12)	1
19	Backhead	1	45	Screw	1
20	Retainer	1	46	Hammer Case Assembly	1
21	Ball Bearing	1	47	Washer	1
22	Rear End Plate	1	TK	Tune-Up Kit { incl.3.5 (2).6.9.14.15.18.24 (6) .29.35.36.40.41.42 }	
23	Rotor	1			

★ Must be Purchased in Assembly Set

● Recommended not to be purchased alone due to assembly difficulty

20160322R2