

# JAMEC PEM

COUPLE UP WITH THE RIGHT CONNECTION

# PRO SERIES 8 METRE



## Air and Water Hose Reel Operating Instructions

58.3067 - 8 metre x 10mm (3/8")  
Extreme Ultraflex Reinforced Air Hose

**EXTREME**  
ULTRAFLEX  
REINFORCED HOSE

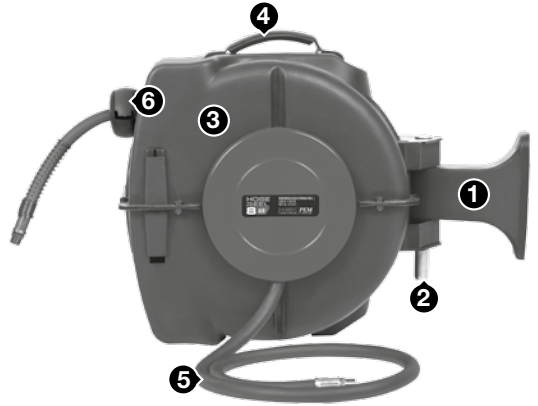
58.4023 - 8 metre x 12mm  
Extreme Ultraflex Reinforced Water Hose

# PRO SERIES

The Jamec Pem PRO SERIES Hose Reel is suitable for most water and compressed air applications and is ideal for use around the home, automotive workshop or industrial site.

## FEATURES

- Click lock mechanism with self retracting hose
- Hose layering system
- 180° swivel wall mount bracket
- Brass fittings
- Roller hose guides for easy retraction of hose
- Flexible hard wearing, kink resistant Extreme Ultraflex Reinforced Hose.
- Adjustable hose stopper
- Includes wall mounting bracket



## PRODUCT IDENTIFICATION

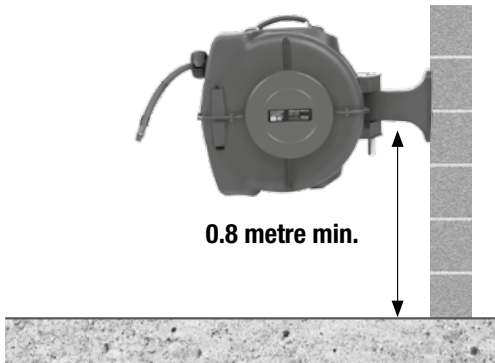
- 1 Mounting Bracket
- 2 Pivot Pin
- 3 Fully Enclosed Case
- 4 Carry Handle
- 5 1 metre Leader Hose
- 6 Hose with Adjustable Stopper
- 7 Water Gun (with water model only)

## INSTALLATION

The Jamec Pem PRO SERIES Reel can be mounted in a horizontal or vertical position.

1. Choose a location that is near to the water source or compressed air source.
2. For large areas, place the hose reel at the centre of the work area.
3. When mounting the hose reel vertically, ensure there is adequate clearance under the reel to prevent injury or damage.
4. Mounting bracket must be installed on a flat surface.

Note: It is recommended to install the mounting bracket 0.8 metre (minimum) above the floor level.



## OPERATION

1. Slowly pull out the hose to the required length. A 'clicking' noise will be heard every revolution of the inner drum. To lock the reel, allow the hose to retract slowly after hearing the second or third 'click'.
2. To release the hose, pull out the hose until the 'clicking' noise stops, and then allow the hose to slowly retract while guiding the hose back into the hose reel. The self layering mechanism will coil the hose back onto the inner drum.

5. Drill 4 x M8 holes to match the holes located in the Mounting Bracket. (Fig. 1)

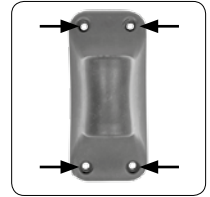


Fig. 1 Mounting Bracket

6. Connect the hose reel to the Mounting Bracket with the Pivot Pin. (Fig. 2)

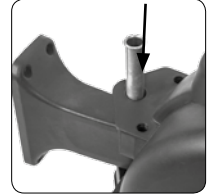


Fig. 2 Pivot Pin

Note: For fixed in-line position, fit the locking plate onto the Mounting Bracket prior to inserting the pivot pin. (Fig. 3)

7. Connect the inlet leader hose to the source using the fittings supplied.

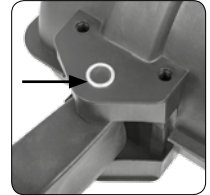


Fig. 3 Locking Plate

Note: Apply thread sealing tape to all air line and air hose fittings.

3. To avoid injury and damage, always hold the hose while it is retracting.

### IMPORTANT:

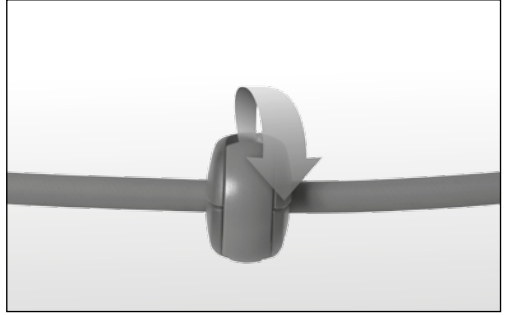
If the hose becomes tangled and will not retract - slowly pull out the hose past the tangled section and then allow the hose to slowly retract while guiding it back into the hose reel.

Always ensure the hose is clean and not twisted.

## ADJUSTING THE STOP-BALL

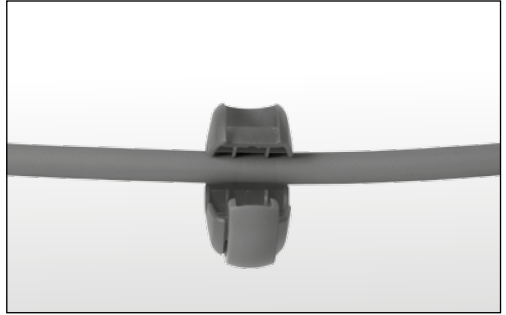
The location of the hose stopper can be adjusted to allow more hose or less hose to be exposed when fully rewound.

1. Pull out the desired length of hose, ensuring the hose reel is in the lock position.
2. Open the latch on the hose stopper and move it to the desired position on the hose.
3. Re-latch the hose stopper at desired position



### CAUTION:

Always make sure the hose reel is in the locked position before removing the hose stopper and make sure the hose stopper is securely fastened before unlocking the reel.



## SPECIFICATIONS

Part No.	Hose Length	Hose Material	Working Pressure	Hose I.D.	Hose O.D.	Leader Hose	Inlet Size
58.3067	8 m	Extreme Ultraflex Reinforced	Max. 300 p.s.i. (20 BAR)	9.2 mm	15.2 mm	1 m	1/4" BSP
58.4023	8 m	Extreme Ultraflex Reinforced	Max. 150 p.s.i. (10 BAR)	10.5 mm	16.5 mm	1 m	12mm tap fitting

## MAINTENANCE

- Always keep the hose clean.
- If the hose becomes dirty, clean it with a damp cloth while retracting.
- DO NOT twist the hose while in use.
- Mount the hose reel in a sheltered area to assist and protect the performance of the hose and hose reel.

- DO NOT allow the hose to contact any corrosive chemicals or fluids.
- Always retract the hose when not in use.
- The Jamec Pem Hose Reel contains a pre-tensioned spring inside the inner drum assembly.

**Do not attempt to open the inner drum assembly.**

## **WARRANTY & CLAIM PROCEDURE**

The Jamec Pem Hose Reel is covered against defects in material and workmanship.

In the instance of a warranty claim, the owner will be entitled to a replacement unit or a sufficient repair of the defective part/s and or component/s to ensure normal operating condition of the hose reel.

## **WARRANTY EXCLUSIONS**

The hose, rubber o-rings and hose stopper are deemed normal wear items and are not covered under warranty.

The warranty does not extend to parts or components affected or damaged by accident, normal wear, misuse, neglect or faulty installation.

**To register a warranty claim contact:**

**Companion Brands**

Phone: 1300 555 197

Fax: 1300 555 198

E-mail: [enquires@companionbrands.com.au](mailto:enquires@companionbrands.com.au)





# *JAMEC PEM*

*COUPLE UP WITH THE RIGHT CONNECTION*



Distributed by  
Companion Brands  
Bundoora VIC 3083  
[www.companionbrands.com.au](http://www.companionbrands.com.au)

JAM3649

***[jamecpem.com.au](http://jamecpem.com.au)***